

42 H.P. MARINE DIESEL

3CD1T



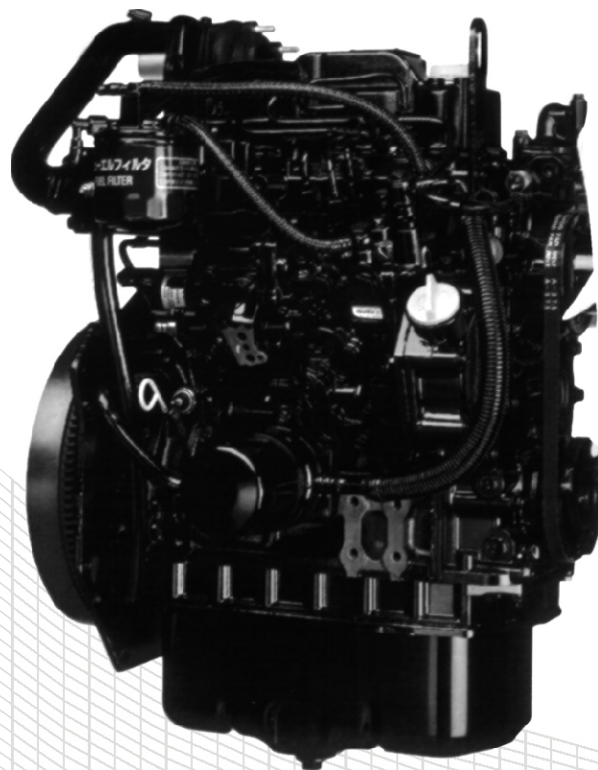
RATINGS

Intermittent at sealevel (60 degrees)

42 b.h.p. @ 3000 r.p.m.

Torque at sealevel (60 degrees)

92 ft.lbs. @ 1500 r.p.m.



ENGINE SPECIFICATIONS

Model number: **Isuzu 3CD1T**

Type: Four stroke, water cooled 3 cylinder

Combustion: Direct injected, induction swirl

Bore & stroke: 84 mm x 90 mm

Piston displacement: 1.5 litres

Engine rotation: Counter clockwise facing flywheel

Dry weight: 399lbs With gear: 435lbs

Lube oil capacity: 6.5 litres

Coolant capacity (engine only): 2.2 litres

Aspiration: Turbo charged

MARINE GEAR SPECIFICATIONS

Model: **Twin Disc MG-360**

Engagement: Mechanical

Gear housing: High strength aluminum

Prop rotation: Left hand or right hand**

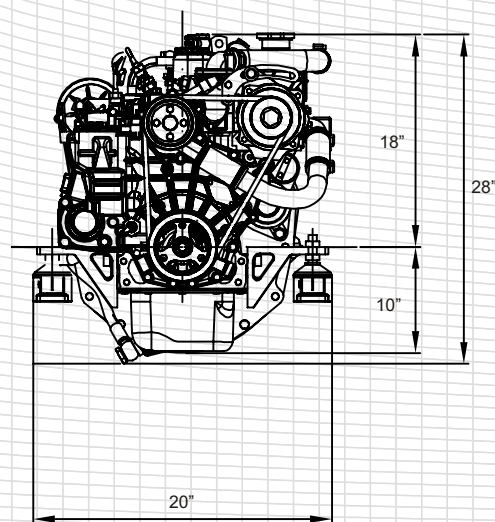
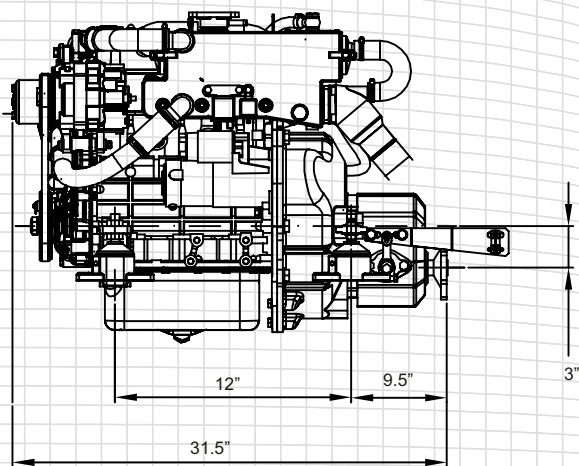
Reduction: Choice of 2.0, 2.5 to 1

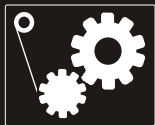
Oil grade: ATF

*Optional Borg Warner, or gear of choice

**Gear cooler may be required

ENGINE & MARINE GEAR DIMENSIONS





42 H.P. MARINE DIESEL

3CD1T

3CD1T FEATURES AND ACCESSORIES

- 12 VDC electrical with gear reduction starter
- Glow plug assist starting
- SAE#5 bellhousing with SAE 7.5in. overcenter flywheel
- Auto-thermic pistons minimize heat expansion and wear for extended life
- Available bobtail or complete with gear

STANDARD ACCESSORIES

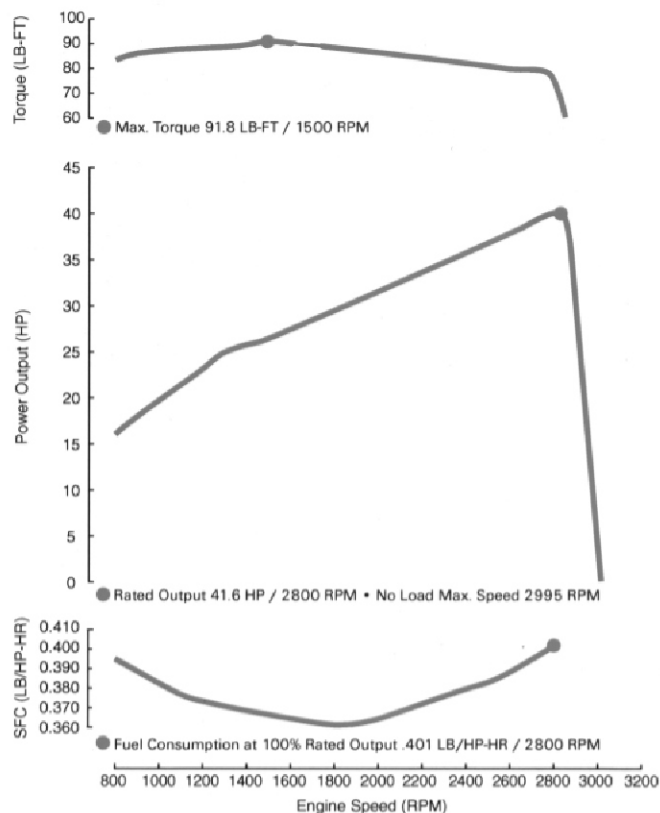
- Set up for keel cooling
- 51 AMP stock alternator
- Intake plenum with air cleaner
- Steel footings with isolators
- Engine oil change pump
- Water cooled dry exhaust manifold*
- Lube oil and secondary fuel filters
- 15 ft pre-wired gauge panel with:
 - Electric stop solenoid
 - Tach with hour meter, oil p.s.i., water temperature, volt or amp meter, key start, glow plug indicator
- Low oil, high temp alarm system

*Available with or without expansion tank

OPTIONAL ACCESSORIES

- 105 amp alternator upgrades
- 10ft. or 20ft. wire harness extensions
- Dual station
- Bellhousing to gear adapter plate
- Standard drive disc
- Heat exchanger kit, which includes:
 - remote or engine mounted heat exchanger
 - belt driven or direct coupled half inch Jabsco raw water pump
 - optional exhaust mixing elbow

HORSE POWER & FUEL CONSUMPTION CURVES



KLASSEN ENGINE CO. / KLASSEN DIESEL SALES LTD.

KLASSEN ENGINE
 1538 N.W. 50th STREET
 SEATTLE, WA. 98107
 (206)784-0148
 (FAX)783-6811
 TOLL FREE(888)784-0148
 seattle@klassenengine.com

KLASSEN DIESEL
 #101-7187 PROGRESS WAY
 DELTA, B.C. V4G-1K8
 (604)940-6400
 (FAX)940-6500
 TOLL FREE: (866) 940-6400
 delta@klassenengine.com

KLASSEN DIESEL
 6701 OLDFIELD RD.
 SAANICHTON, B.C.
 V8M2A1
 (250)652-6655
 (FAX)652-6655
 victoria@klassenengine.com

www.klassenengine.com